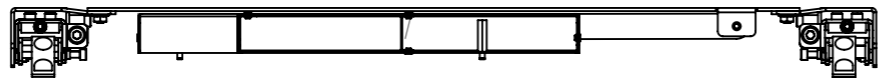
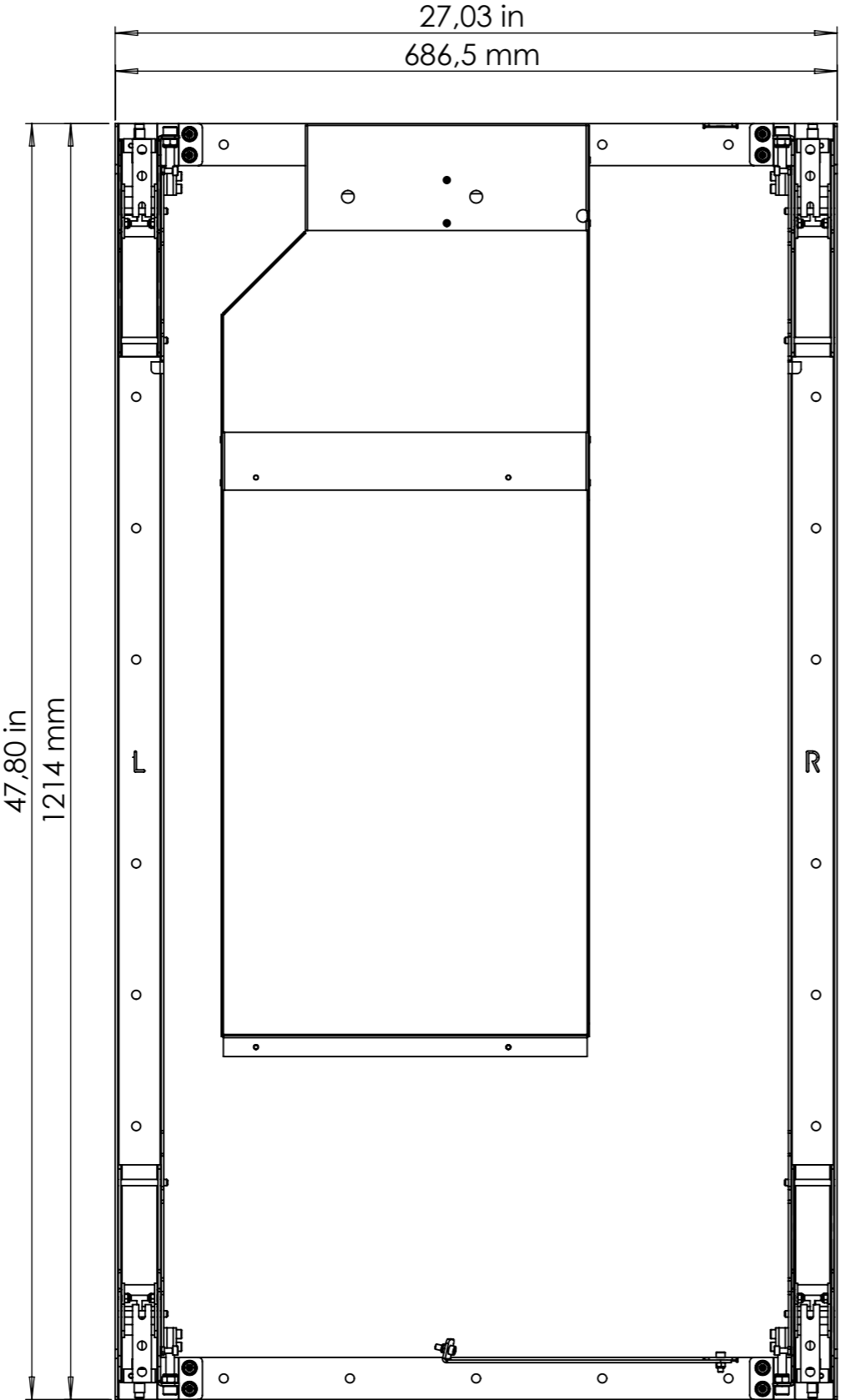


MultiTaction 557D

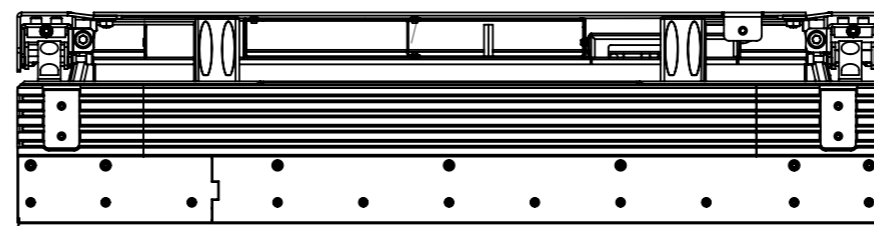
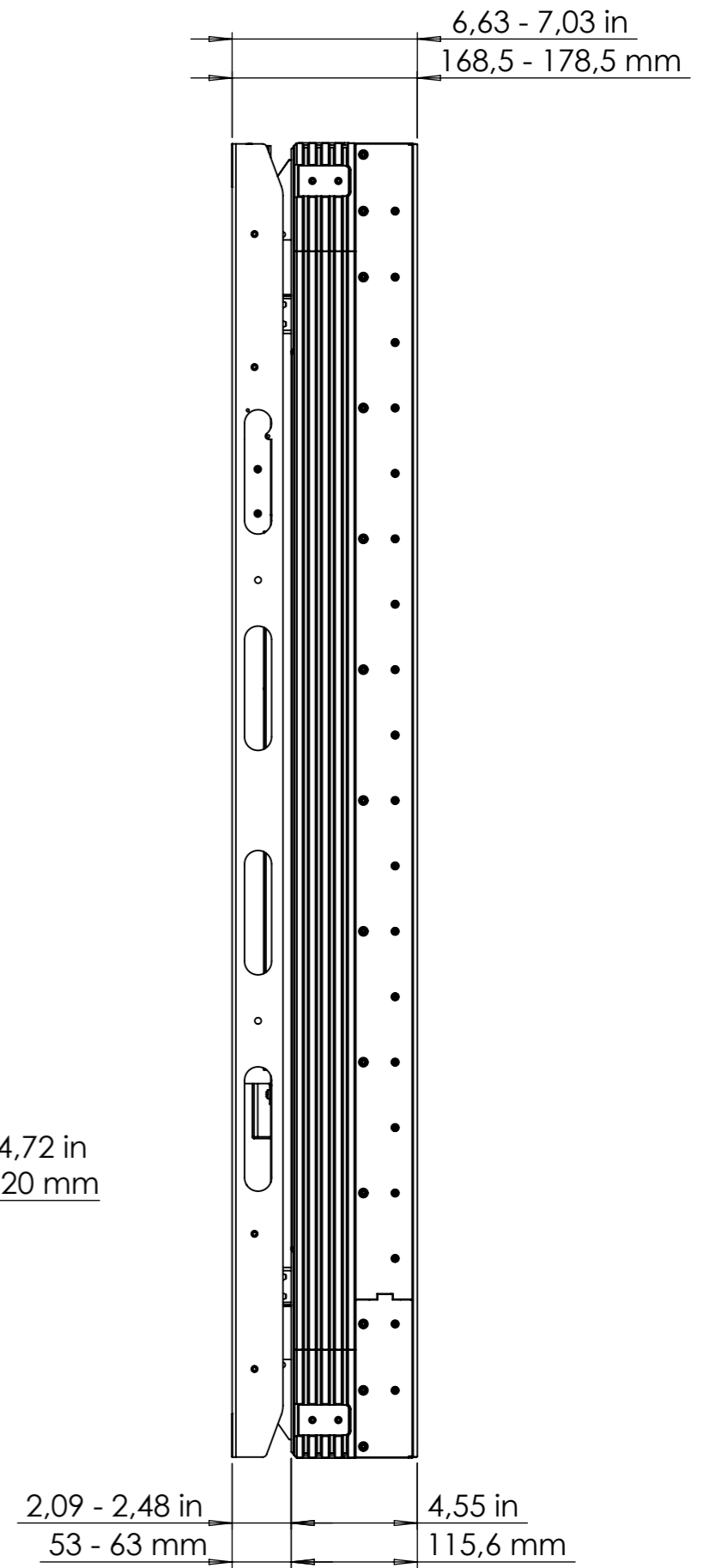
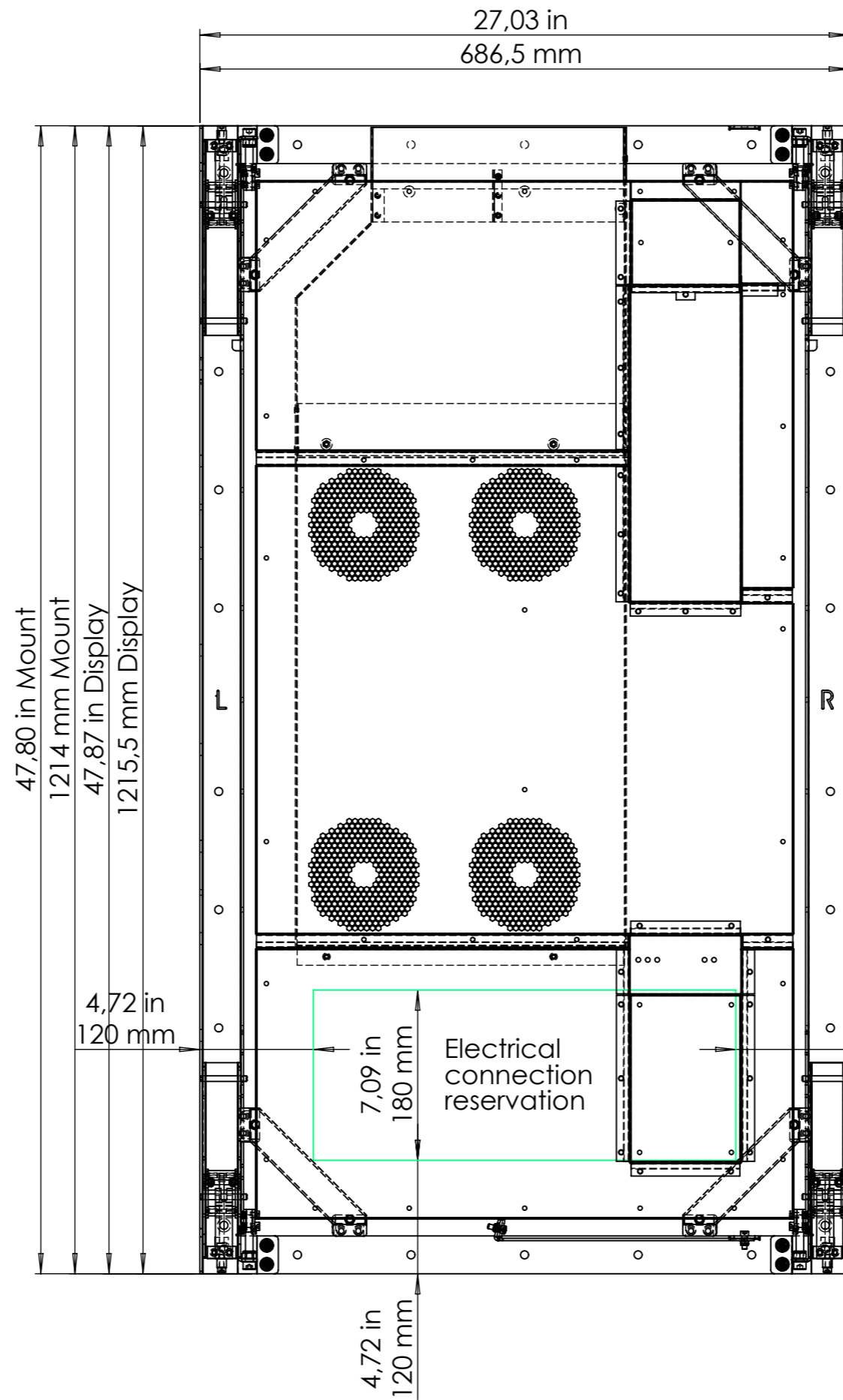
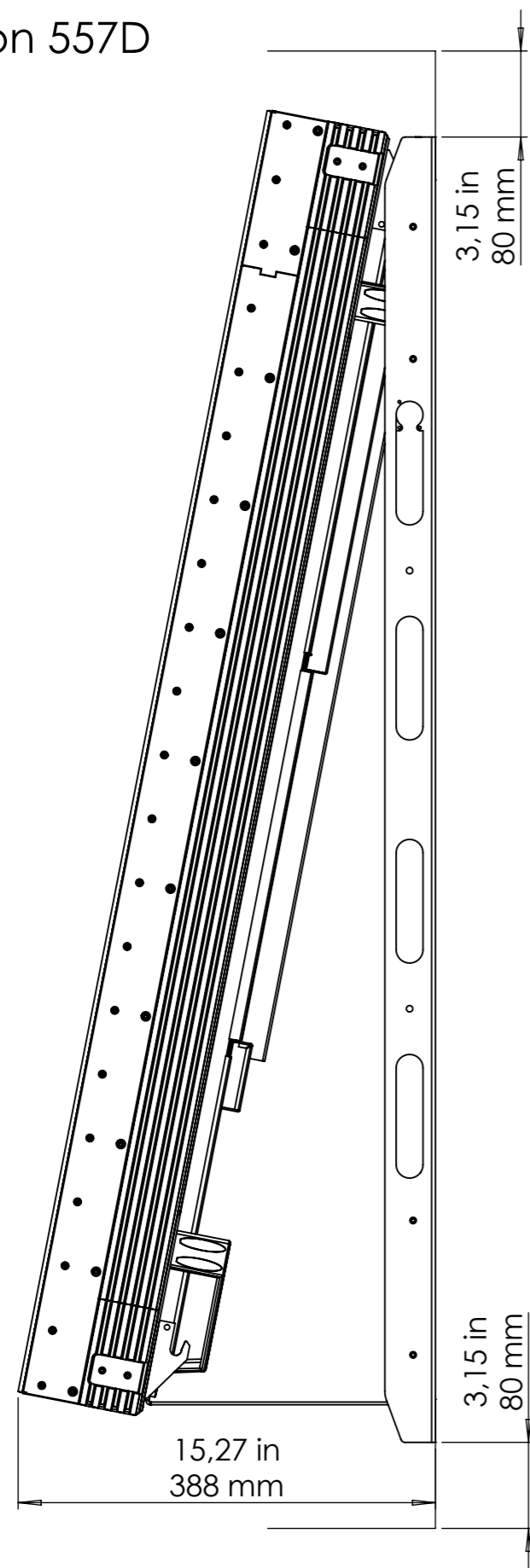


Needs 80 mm clearance on top and bottom for adjustment and service.

Not suitable for multirow installations.

Wall Mount weight 8,8 kg.

MultiTaction 557D



Needs 80 mm clearance on top and bottom for adjustment and service.

Not suitable for multirow installations.

Wall Mount weight 8,8 kg.